

# EasyStand<sup>®</sup> StrapStand

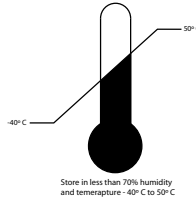


Owner's Manual

## SYMBOL LEGEND



**CAUTION/ATTENTION, see instructions for use.**



**ENVIRONMENTAL CONDITIONS**



**PINCHPOINT**



**DATE OF MANUFACTURE**

**SN**

**SERIAL NUMBER**



Please be environmentally responsible and recycle this product through your recycling facility at its end of life.

Afin de préserver l'environnement, veuillez confier ce produit à votre centre de recyclage à la fin de sa durée de vie.

Nachdem dieses Produkt ausgedient hat, entsorgen Sie es bitte auf umweltfreundliche Weise, indem Sie es zu der entsprechenden Recyclingstelle bringen.

Wees a.u.b. milieubewust en recycleer dit product via uw recycleerder na het verstrijken van de levensduur.

Sea responsable con respecto al medio ambiente y recicle este producto al finalizar su vida útil en el lugar de reciclaje correspondiente.

Siate responsabili verso l'ambiente e riciclate questo prodotto, al termine della sua vita d'uso, presso la vostra sede di riciclaggio.

Kierrätä tämä tuote sen käyttöiän lopussa ympäristövastuullisella tavalla paikallisella kierrätyslaitoksella.

Var miljömedveten och återvinn denna produkt efter dess användning.

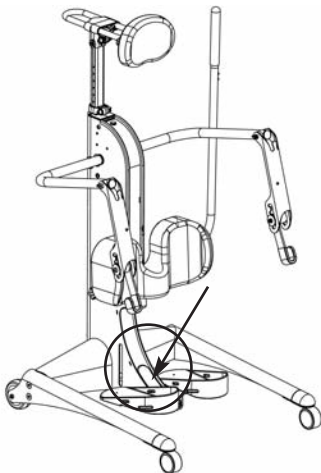
Vi ber deg ta hensyn til miljøet og resyklere dette produktet ved hjelp av de rette resyklingsfasilitetene når produktet ikke lenger kan brukes.

Vis venligst hensyn til miljøet ved at levere produktet til det nærmeste genbrugsanlæg, når det ikke længere fungerer.

Por favor, assumo responsabilidade ambiental, reciclando este produto em suas instalações de reciclagem no final de sua vida útil.

# Table of Contents

|                                                        |           |
|--------------------------------------------------------|-----------|
| <b>Introduction</b> . . . . .                          | <b>1</b>  |
| <b>Safety Precautions</b> . . . . .                    | <b>2</b>  |
| <b>EasyStand StrapStand Assembly</b> . . . . .         | <b>3</b>  |
| <b>Swing-Out Leg Assembly</b> . . . . .                | <b>7</b>  |
| <b>Adjusting Your StrapStand</b> . . . . .             | <b>9</b>  |
| <b>Using Your StrapStand</b> . . . . .                 | <b>10</b> |
| <b>Options</b> . . . . .                               | <b>11</b> |
| <b>StrapStand Options &amp; Parts Detail</b> . . . . . | <b>15</b> |
| <b>Standing</b> . . . . .                              | <b>17</b> |
| <b>Maintenance</b> . . . . .                           | <b>18</b> |
| <b>Specifications</b> . . . . .                        | <b>19</b> |
| <b>Limited Warranty</b> . . . . .                      | <b>20</b> |



*Note:* The serial number is located underneath the rubber cover, inside the base.

Date Purchased \_\_\_\_\_ Serial # \_\_\_\_\_

*\*Videos on assembly & fitting can be viewed at [www.easystand.com/videos](http://www.easystand.com/videos)*

# Introduction

Congratulations on your purchase of the EasyStand StrapStand standing frame! We at Altimate Medical have designed the EasyStand with your comfort and happiness in mind.

**This manual is an integral part of your standing system and should be read completely and thoroughly by anyone that will be operating the unit.** This will ensure that the EasyStand is assembled properly and used in the most beneficial manner.

**Altimate Medical recommends that an attendant be present when the EasyStand StrapStand is being used.** Should any problem arise that you cannot solve by reading this manual, please contact your local supplier or call Altimate Medical Inc. at 800-342-8968 or 507-697-6393.

It is important and necessary that you inspect your EasyStand periodically to assure that it is in safe operating condition. Minor adjustments can be made by the operator. However, replacement of worn parts, major adjustments, or any other important corrections should be handled by an authorized supplier or service center. Only Altimate Medical, Inc. approved replacement parts should be used to ensure safety and performance.

**Do not use the EasyStand StrapStand without consulting your physician. Failure to consult a qualified physician prior to using the EasyStand could lead to severe medical problems. We recommend that a good standing program be established and supervised by a qualified physician or physical therapist.**

## Join the Standing Community!

Our goal is simple - to empower people with disabilities to stand up for their health. Connect, share, and learn from other people with disabilities, special needs parents, clinical professionals, and the experts in standing on one of our social networking communities.

Read, share, and comment on the EasyStand Blog at [blog.easystand.com](http://blog.easystand.com)

Find EasyStand on these social networking sites:

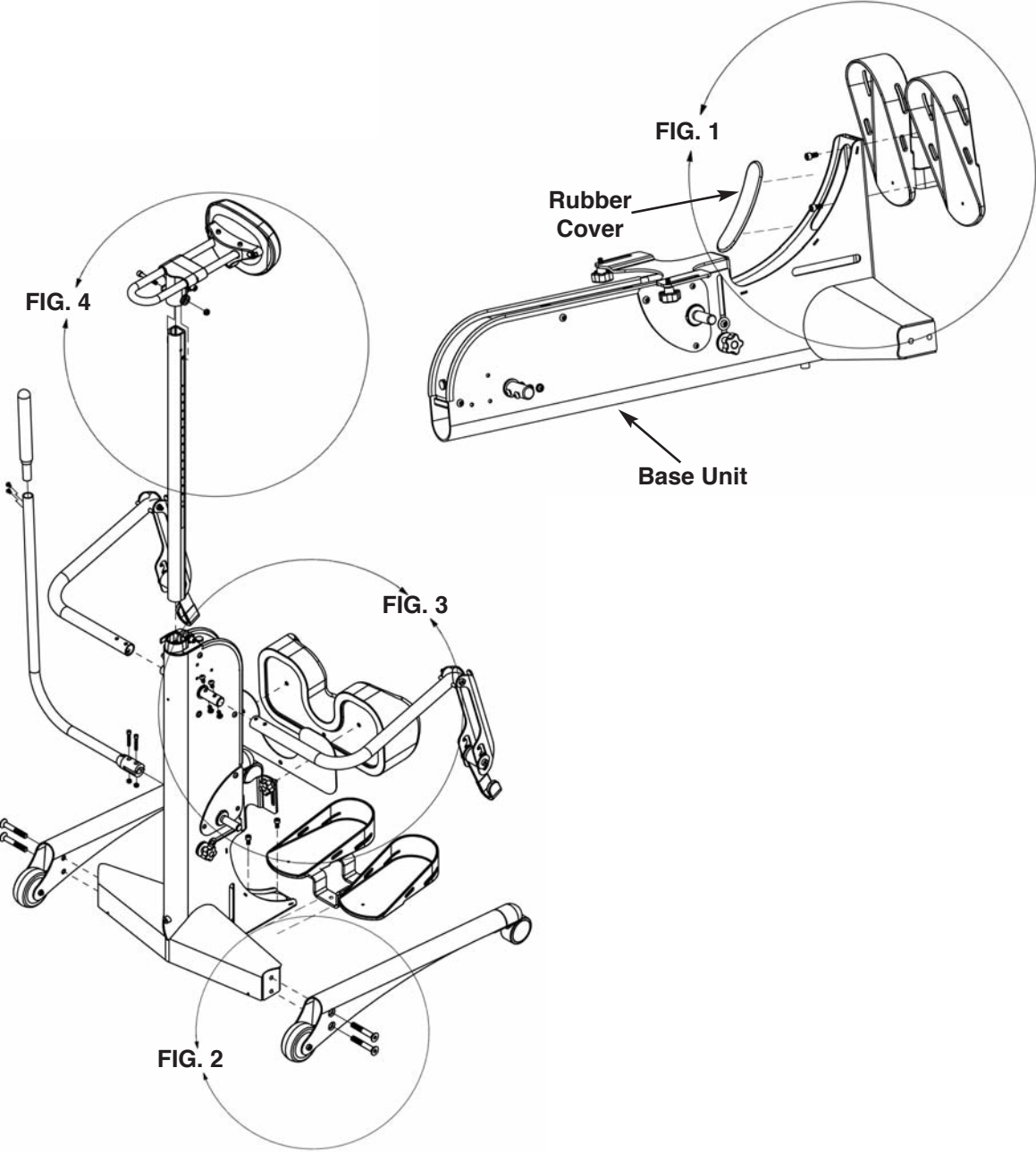


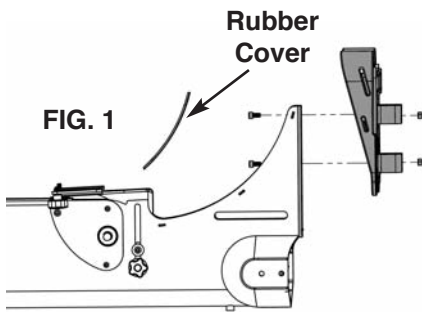
# Safety Precautions

- **EasyStand StrapStand** - is designed to accommodate most individuals from 5'0"-6'5" (152-195 cm) and up to 350 lbs. (159 kg).
  - If you do not meet these specifications and have not been properly fitted by a qualified therapist or physician, Altimate Medical Inc. does not recommend that you use the EasyStand StrapStand.
  - Altimate Medical Inc. recommends that you consult with your therapist or physician prior to starting a standing program.
  - Check your EasyStand StrapStand periodically to make sure that all nuts, bolts and adjustable parts are tightened securely.
  - Never make adjustments to the EasyStand StrapStand while a user is in the standing position.
  - Never reposition the foot plates or the strap while you are in the standing position. Consult with your therapist or physician for proper foot placement and angle.
  - If the unit was exposed to temperatures of less than 50°F (10°C), you must allow the unit to warm up to room temperature before use.
  - Use body weight to return to sitting. Do not use excessive force.
  - The EasyStand is for indoor use on level surfaces only.
  - Violently thrusting in the EasyStand may cause it to tip.
  - Always put the rear casters and/or wheels in the locked position before transferring into the EasyStand. Use these locks whenever you want to keep the EasyStand stationary.
  - Please contact Altimate Medical Inc. for relevant clinical data and literature.
  - Altimate Medical products are specifically designed to be used with Altimate Medical accessories and options. Unless otherwise noted, accessories and options from other manufacturers have not been tested by Altimate Medical and are not recommended for use with Altimate Medical products.
  - It is recommended that the equipment be stored in air less than 70% humidity and temperatures -22 to 122 F (-30 to +50 C).
- ⚠ **Caution:** This equipment is designed to accommodate a range of users; therefore the unit has various adjustment slots and holes. Avoid placing fingers or other body parts in any of these areas.
- ⚠ **Caution:** While in use this equipment has various moving parts, familiarize yourself with your unit and avoid placing hands or fingers near any of these areas.
- ⚠ **Caution:** Advise bystanders to keep clear of the unit while in use.

# EasyStand<sup>®</sup> StrapStand Assembly

Videos on EasyStand assembly & fitting can be viewed at [www.easystand.com/videos](http://www.easystand.com/videos)





**FIG. 1-** Place the base unit flat as shown. Remove the rubber cover on the lower part of the base to expose the inside of the unit and remove bolts from the footplate bracket. Place footplate onto the base and insert bolts, tighten nuts securely. Flip the base unit back to upright.

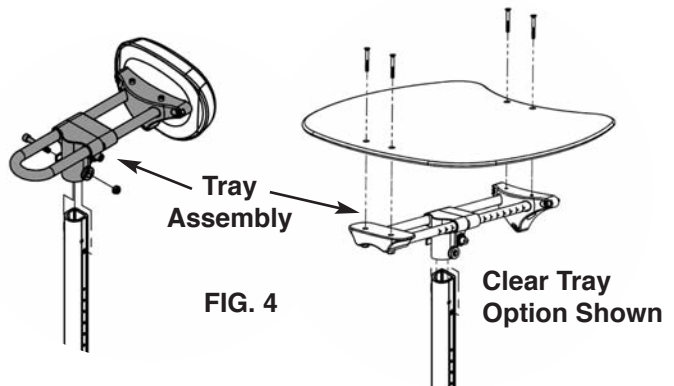
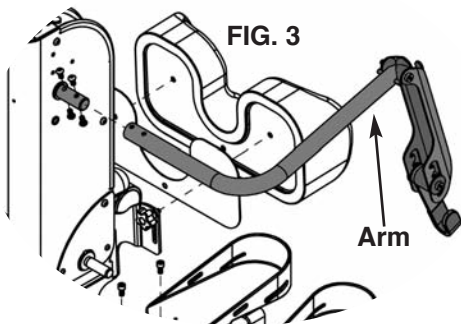
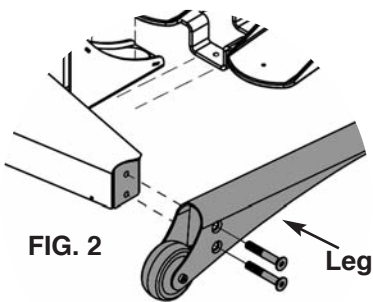
**For footplate adjustments, see p. 9.**

**FIG. 2-** Using the bolts provided, place the legs onto each side of the base and tighten bolts securely.

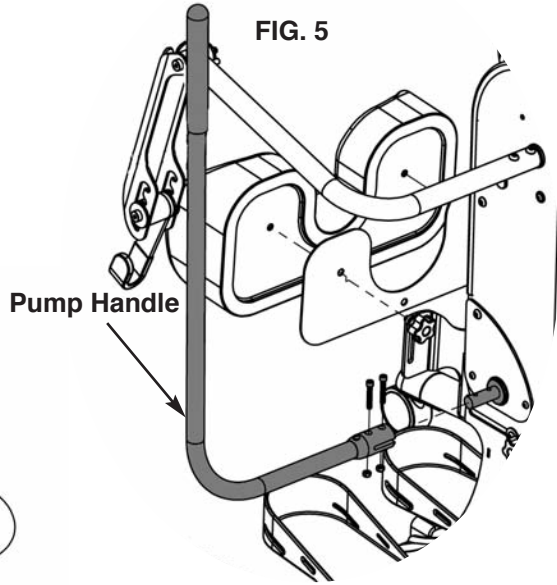
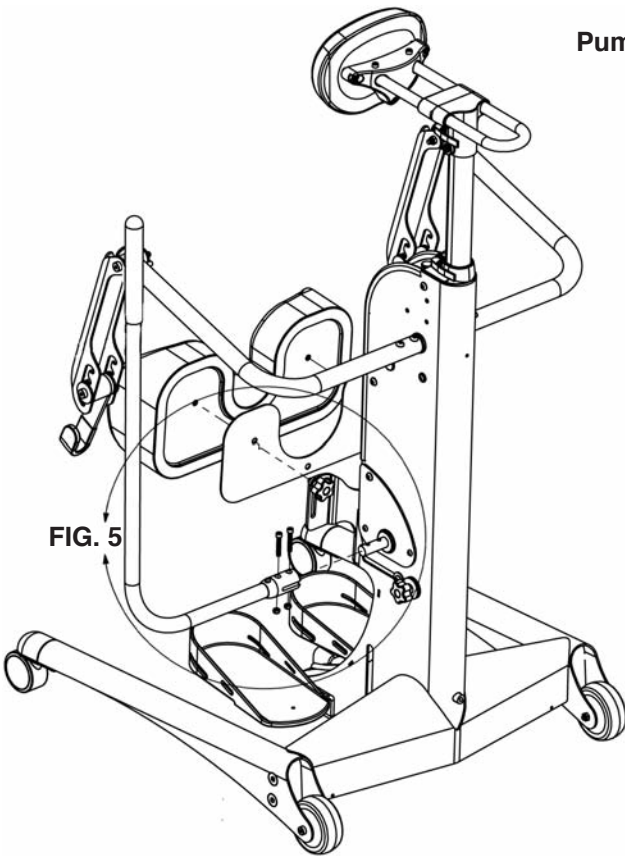
**For Swing-Out Leg assembly, see p. 7.**

**FIG. 3-** Remove bolts from the arms, place the arms onto the lifting rod on the base and tighten securely.

**FIG. 4-** Insert the tray post into the front column with the mounting holes towards the top. Place the tray assembly onto the tray post, insert nut into slot and bolt into hole, tighten securely. The tray clamp on the front frame may need to be adjusted to fit the tray post into the frame.

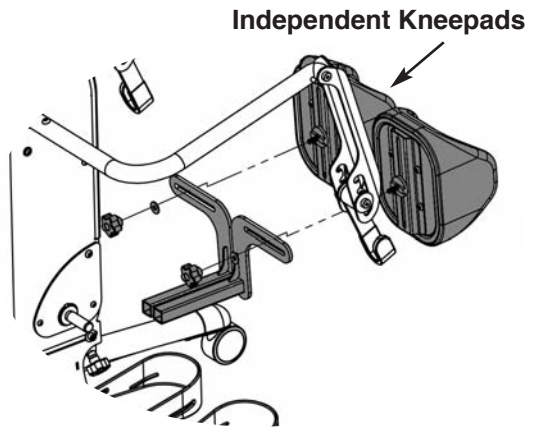
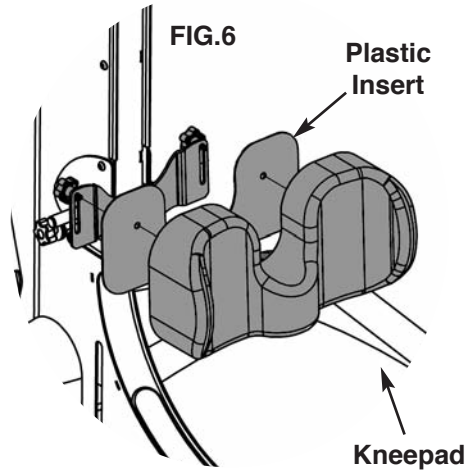
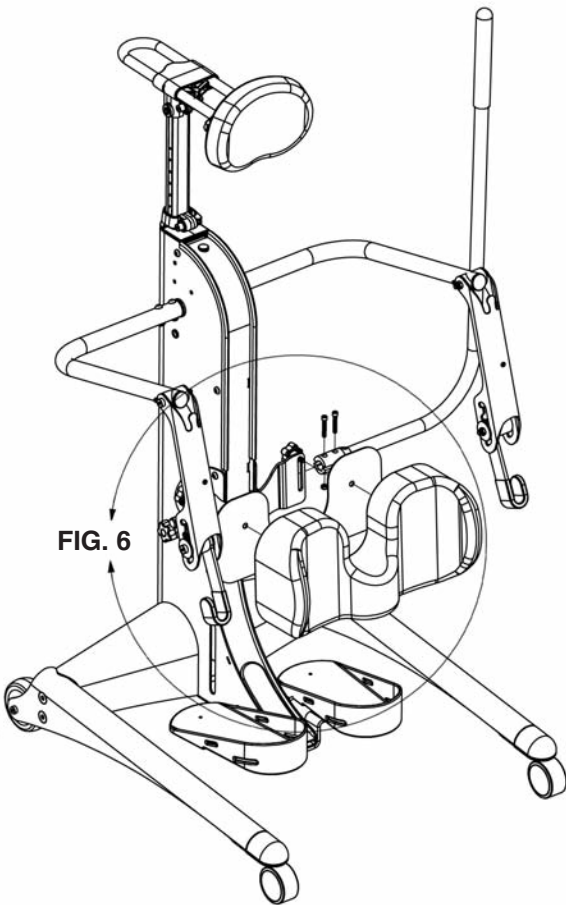


**FIG. 5-** Attach the pump handle to the pump on the base with bolts and nuts, tighten securely.



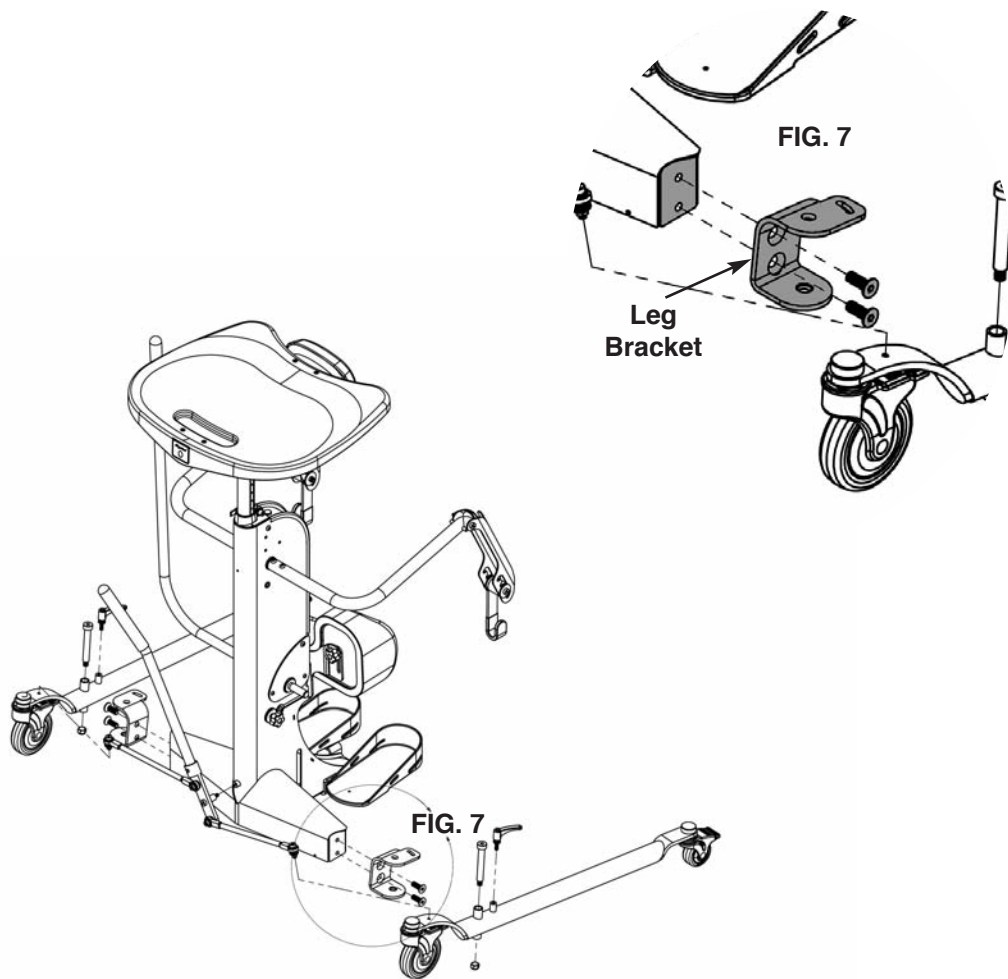
**FIG. 6-** Remove the three bolts from the kneepad making sure the plastic insert stays in place. Place the kneepad onto the bracket and insert top two bolts before inserting the middle bolt. Tighten securely.

If you ordered the independent kneepads, place the kneepads onto the kneepad brackets, tighten knobs securely. Place the kneepad brackets into the slots on the base, insert knob and tighten securely.



# Swing-Out Leg Assembly

**FIG. 7-** Place the leg bracket onto the base with the single hole towards the bottom and the slotted hole towards the back. Insert bolts and tighten securely.



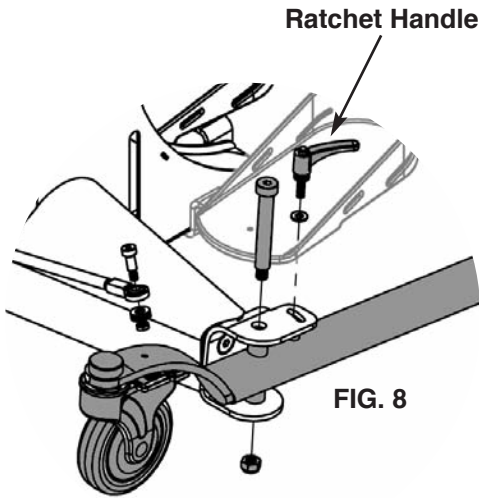


FIG. 8

**FIG. 8-** Place the leg inside the leg bracket. Insert the ratchet handle into the slotted hole and tighten securely. Insert the bolt into the hole in the bracket and through the leg. Attach nut and tighten securely.

**FIG. 9-** Place the handle assembly onto the caster brackets as shown. Make sure the washers are placed between the caster bracket and the handle arm. Place nut onto the bolt and tighten securely.

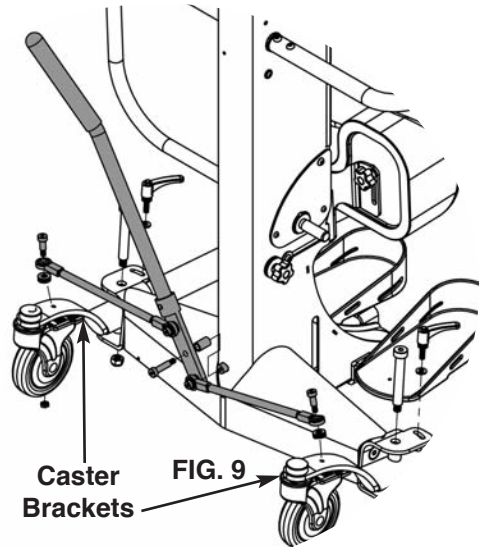


FIG. 9

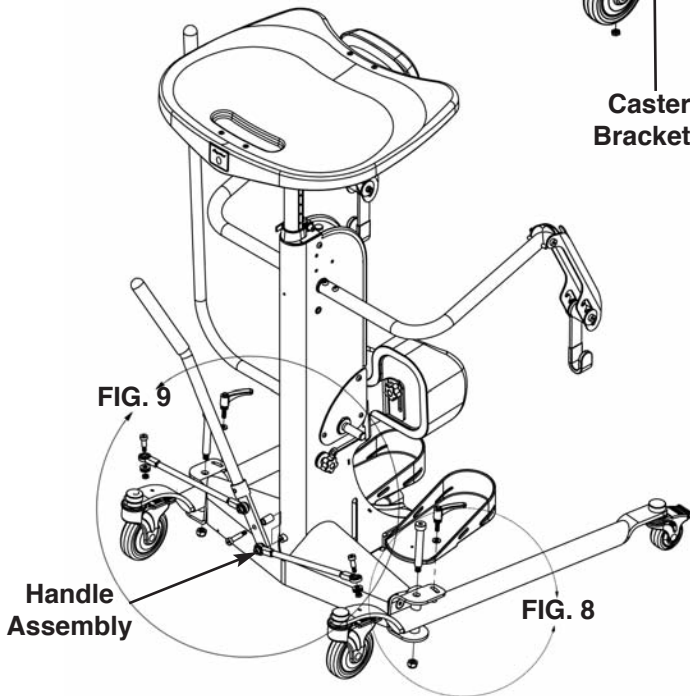


FIG. 9

Handle Assembly

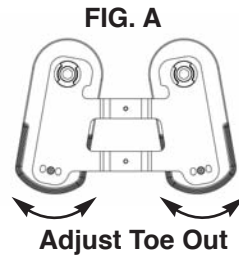
FIG. 8

# Adjusting Your EasyStand® StrapStand

## Footplates

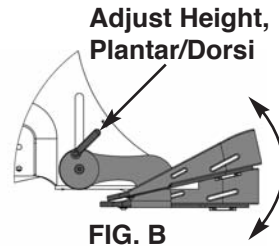
**⚠ Caution:** Never reposition the footplates while you are in the standing position.

**FIG. A-** To adjust the abduction (toe out) of footplates, remove the bolt under the front edge of the footplate with a hex wrench. Lift up and turn the footplate to desired position. Make sure the footplate is positioned in one of the slots (3 positions for standard footplate, 4 positions for optional multi-adjustable footplates) and re-secure with bolt.



## Multi-Adjustable Footplates Option

**FIG. B-** Loosen the clamp connecting the foot bracket to the base to adjust the footplate height and plantar/dorsi.

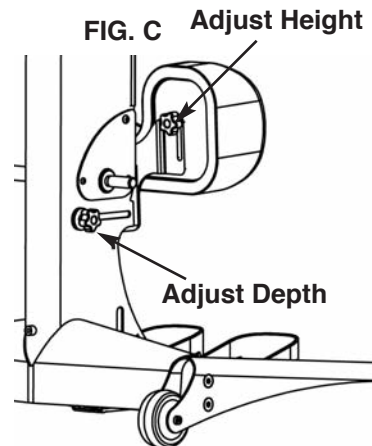


Position the height of the footplate so the user's knee is centered in the kneepad. Tighten the clamp securely.

**⚠ Caution:** Avoid placing fingers in the adjustment slots.

## Kneepad

**FIG. C-** To adjust the kneepad depth, loosen the knob and move into position. Tighten knob once desired position is achieved.

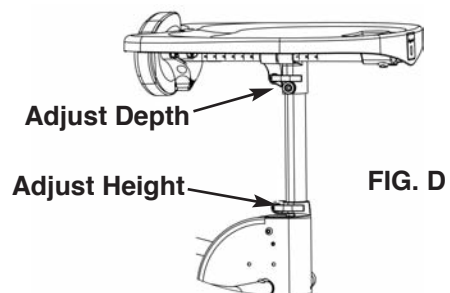


## Table

**FIG. D-** To adjust the height of the chest pad or optional tray, loosen the clamp located just above the base. Lift the tray to the desired height and tighten the clamp.

To adjust the depth of the chest pad or optional tray, loosen the clamp located just below the tray. Move the front pad to the desired position and tighten the clamp.

**⚠ Caution:** While lowering the tray height, keep hands clear of the area underneath the tray.



# Using Your EasyStand StrapStand

Consult your therapist or doctor before starting any standing program.



1. To use the StrapStand, position your wheelchair as close as possible to the kneepad. Casters on the StrapStand should be locked.



2. Position your feet in the foot plates. Adjust kneepad height so knees are centered in the kneepad. With your wheelchair locked, slide forward on your seat so that your knees make contact with the kneepad.



3. Hook the strap on one side and bring the other side around you. Hook it on the other side as well.



4. After attaching the strap to the lifting arms, adjust hook position for your preference. The strap can be adjusted to accommodate different size individuals. This will vary slightly depending on the strap size and the girth of the individual.



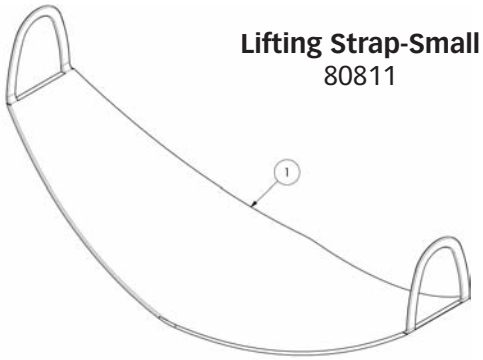
5. Adjust the placement of the strap under your buttocks so that the top edge of the strap is slightly under your belt line. Slide it into place with your hand as shown.



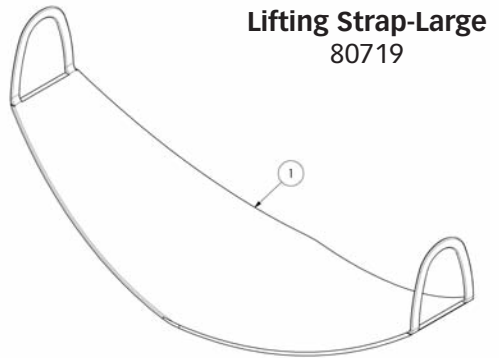
6. Partially lift yourself by pumping the actuator handle towards you to tension the strap. At this time you may want to reposition the strap. Continue until you are into full standing position.

**⚠ Caution:** Never adjust the strap while in the standing position.

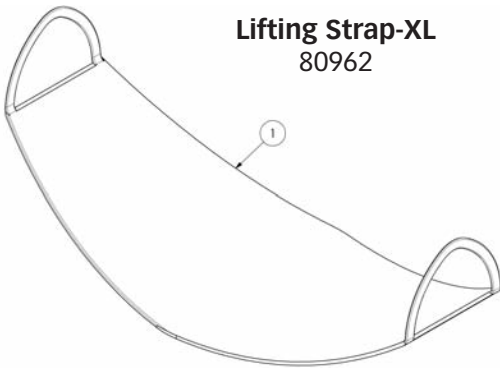
# Option Assembly



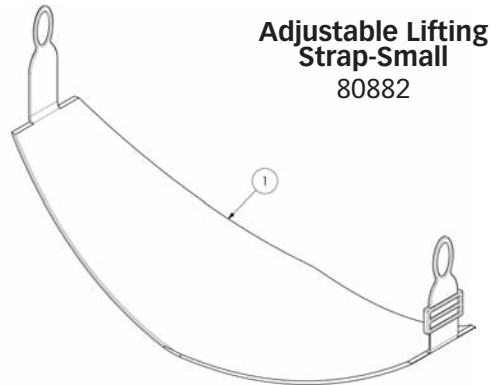
**Lifting Strap-Small**  
80811



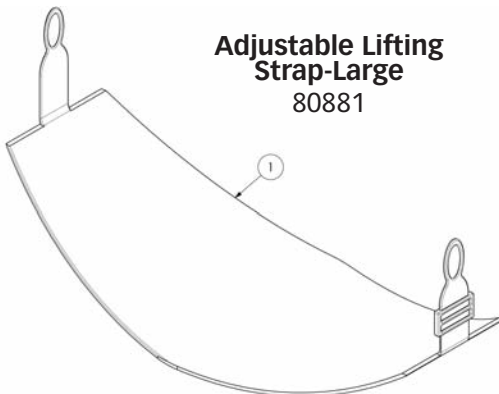
**Lifting Strap-Large**  
80719



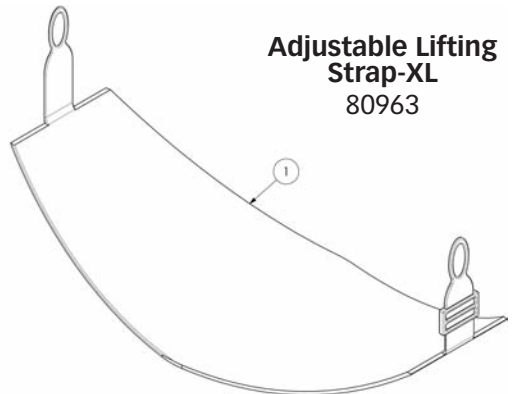
**Lifting Strap-XL**  
80962



**Adjustable Lifting  
Strap-Small**  
80882

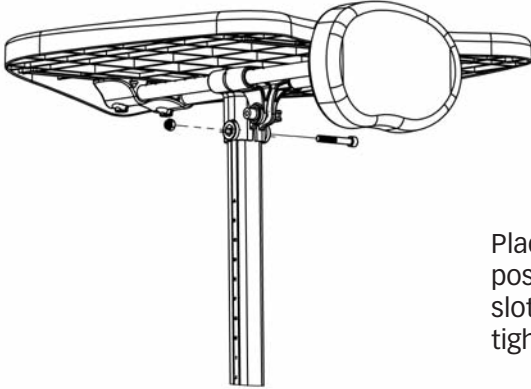


**Adjustable Lifting  
Strap-Large**  
80881

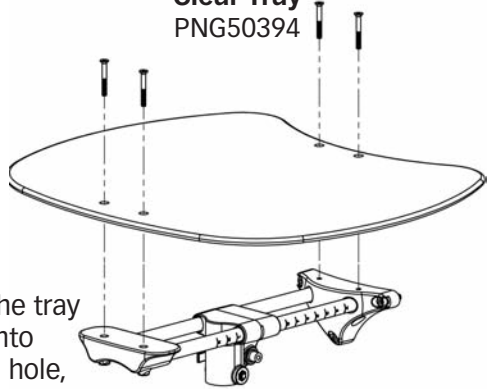


**Adjustable Lifting  
Strap-XL**  
80963

**Black Molded Tray**  
PNG50393

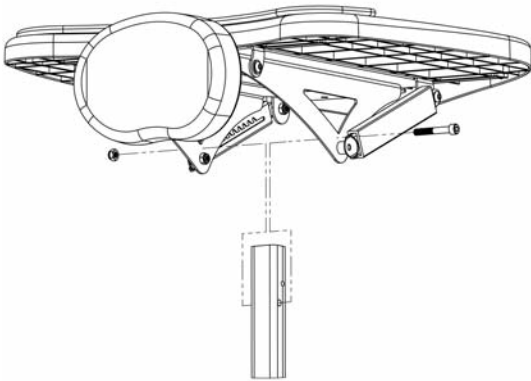


**Clear Tray**  
PNG50394

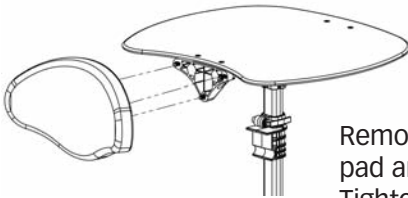
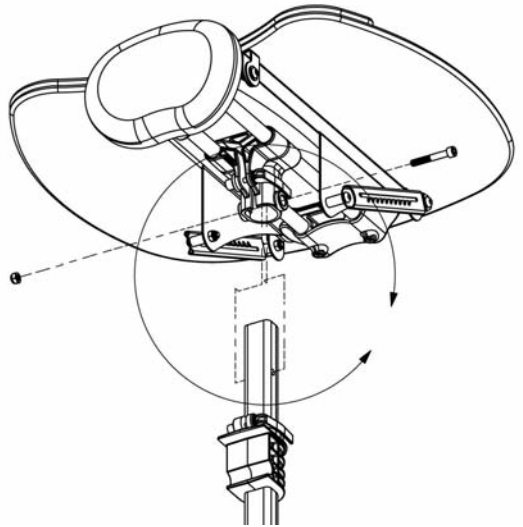


Place tray onto the tray post, insert nut into slot and bolt into hole, tighten securely.

**Black Molded Angle Adjustable Tray**  
PNG50397

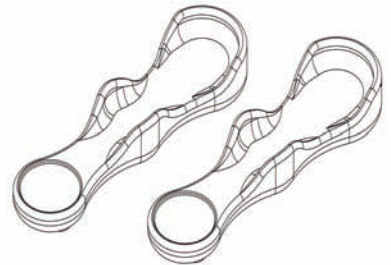


**Clear Angle Adjustable Tray**  
PNG50398



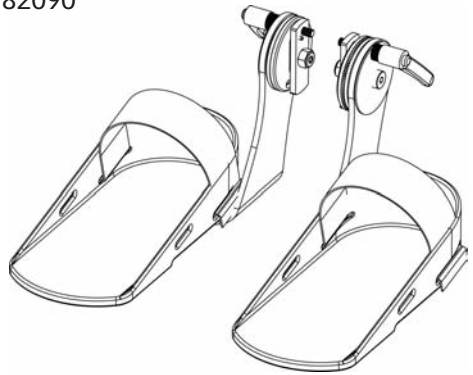
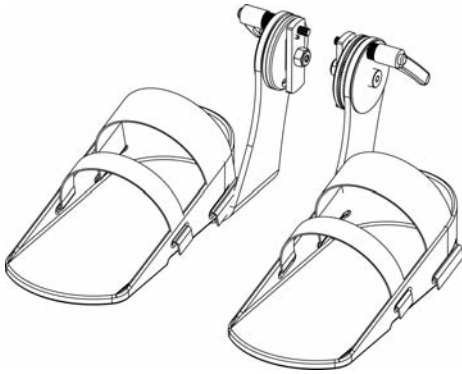
Remove bolts from chest pad and place onto tray. Tighten bolts securely.

**Large Contoured Chest Pad**  
PNG30000



**Arm Troughs**  
P5030

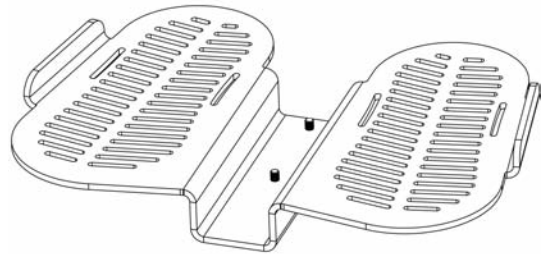
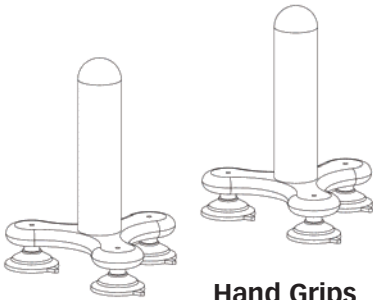
**Multi-Adjustable Footplates**  
P82090



**Secure Foot Straps**  
PNG30031

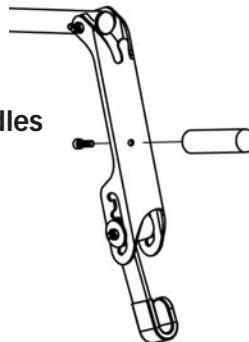
**Foot Straps**  
PNG30030

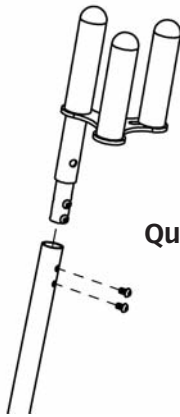
**XL Footplate**  
P82144



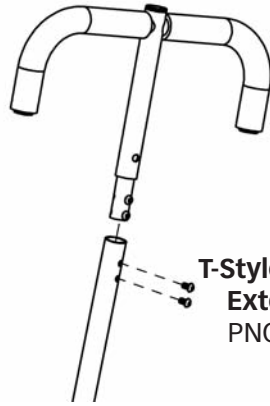
**Hand Grips**  
PNG50042

**Grab Handles**  
P82062





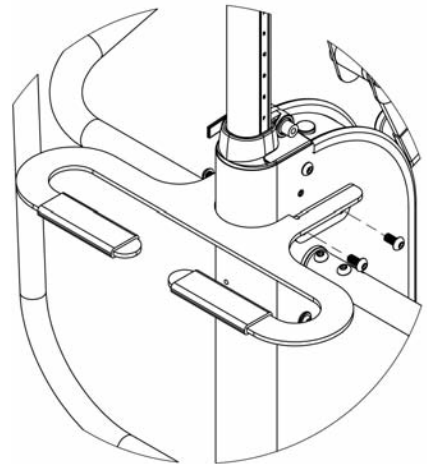
**Quad Grip Handle  
Extension**  
PNG50044



**T-Style Handle  
Extension**  
PNG50070

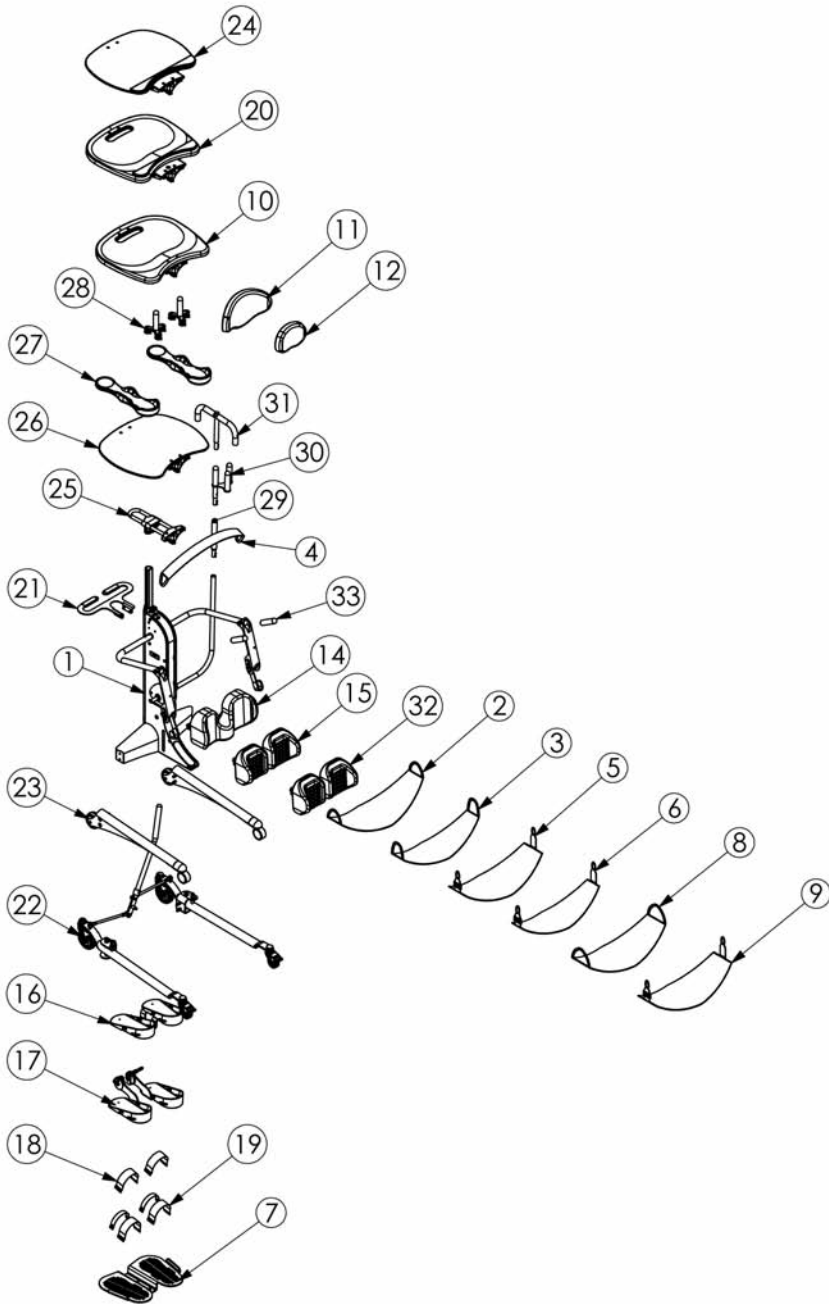


**Upper Body  
Support Strap**  
P80829



**Transport Handle**  
P82160


# StrapStand Options & Parts Detail



| ITEM NO. | PART NO. | QTY. | NAME                                    |
|----------|----------|------|-----------------------------------------|
| 1        | 2000     | 1    | STRAPSTAND                              |
| 2        | 80719    | 1    | LIFTING STRAP LARGE 2000                |
| 3        | 80811    | 1    | LIFTING STRAP SMALL 2000                |
| 4        | 80829    | 1    | LIFTING BACK STRAP 2000                 |
| 5        | 80881    | 1    | ADJ LIFTING STRAP LARGE 2000            |
| 6        | 80882    | 1    | ADJ LIFTING STRAP SMALL 2000            |
| 7        | 82144    | 1    | FOOT PLATE OVERSIZED STRAPSTAND         |
| 8        | 80962    | 1    | LIFTING STRAP EXTRA LARGE 2000          |
| 9        | 80963    | 1    | ADJ LIFTING STRAP EXTRA LARGE 2000      |
| 10       | NG50393  | 1    | BLACK MOLDED TABLE                      |
| 11       | NG30000  | 1    | PAD FRONT EXTRA SUPPORT                 |
| 12       | NG30001  | 1    | PAD CHEST STANDARD                      |
| 13       | NG30268  | 1    | KNEE COVER BACK STANDARD LG             |
| 14       | 82202    | 1    | STANDARD KNEE STRAPSTAND                |
| 15       | 82101    | 1    | ASMBLY KNEE INDEPENDENT STRAPSTAND      |
| 16       | 82091    | 1    | STRAPSTAND STANDARD FOOT ASSEMBLY       |
| 17       | 82090    | 1    | FOOT ASMBLY STRAPSTAND                  |
| 18       | ng30030  | 1    | STRAPS FOOT OPTION                      |
| 19       | NG30031  | 1    | STRAPS SECURE FOOT OPTION               |
| 20       | NG50397  | 1    | BLACK MOLDED ANGLE ADJ TRAY             |
| 21       | 82160    | 1    | GRAB HANDLE STRAPSTAND                  |
| 22       | 82188    | 1    | SWING OUT LEG ASSEMBLY                  |
| 23       | 82186    | 1    | STANDARD LEG OPTION                     |
| 24       | NG50398  | 1    | CLEAR ANGLE ADJUSTABLE TRAY             |
| 25       | NG50409  | 1    | ASMBLY NO-TABLE OPTION                  |
| 26       | NG50394  | 1    | CLEAR TRAY                              |
| 27       | 5030     | 1    | ARM TROUGHS                             |
| 28       | NG50042  | 1    | SUPPORT GRIP OPTION                     |
| 29       | NG50260  | 1    | HANDLE STANDARD TOP                     |
| 30       | NG50044  | 1    | QUAD GRIP OPTION                        |
| 31       | NG50070  | 1    | ACTUATOR HANDLE EXTENSION EVOLV LG      |
| 32       | 82189    | 1    | ASMBLY KNEE ROHO INDEPENDENT STRAPSTAND |
| 33       | 82062    | 1    | STRAPSTAND GRAB HANDLES                 |

# Standing

## To Stand

 **Caution:** Please consult with your physician or therapist before starting a standing program.

To stand, position the lifting strap behind the hips and attach it to the lifting arms. After positioning your feet and knees, pump the manual actuator handle to lift you from your wheelchair, to the standing position.

 **Caution:** Never make adjustments to the EasyStand while a user is in the standing position.

## To Return to the Seated Position

Push the pump handle away from you until you have reached your desired position. The strap will slowly lower until you release the handle. If you have difficulty getting the strap to lower, you may not be applying the proper pressure to the handle (try less or more pressure). If the unit is in the standing position and unoccupied, apply moderate pressure to the strap. Do not use excessive force.

## Contraindications


Standing/Weight bearing may not be an option for the following reasons:

If the user has severe contractures or range of motion issues

If the user has severe osteoporosis or brittle bone disease

If the user has postural orthostatic hypotension

If the user has dislocated joints.

 **Caution:** Consumers considering a standing program should consult with a qualified physician and medical team to determine what indications or contraindications exist for them. Clinicians must use best clinical judgment to evaluate the user's needs.

Implementing a standing program must be determined on an individual basis by the user's team (Physician, Physical or Occupational Therapist, Rehab Technology Professional/Supplier and the consumer). Consider all indications and contraindications for each client individually to determine if standing/weight bearing is appropriate for them.

# Maintenance

## Cleaning/Disinfecting

- Clean the EasyStand StrapStand with a mild non-abrasive disinfectant or soap and water.
- Check your EasyStand periodically to make sure that all nuts, bolts and adjustable parts are tightened securely. Failure to do so may result in parts falling off which may cause a choking hazard for children.
- Do not use bleach or any other bleach based cleaners on EasyStand standing frames.
- Disinfecting wipes are safe to use on metal and non-porous surfaces.
- Use a damp sponge with mild soap or a mild non-abrasive disinfectant.
- Spot clean Neoprene with mild soap and water.
- Neoprene covers may be removed and hand washed with water and air dried. Always use care when removing and replacing the covers.

## Urethane Coated Fabrics (Dartex or generic equivalent)

- The recommended cleaning and disinfection instructions should be followed whenever possible to avoid damage to the PU membrane which could lead to premature failure of the cover.
- For superficial dirt use a disposable wipe and a warm solution of neutral detergent. Do not use abrasive cleaners.
- Disinfect using a 0.1% sodium hypochlorite solution (1000ppmm chlorine), stronger bleach solutions are not recommended.
- Thoroughly clean off any cleaning solutions with clean water and dry fabric before re-use or storage.
- Do not iron.

## Hydraulic Actuator Maintenance

- An initial break-in period of approximately 50-100 full cycles is normal for the hydraulic unit. You may experience a squeaking or a less-than-smooth stroke. The very close fit of its mating parts gives each pump its own break-in "feel" and signature sound.
- If the pump is leaking oil, call your local EasyStand Supplier for a replacement. The serial number on your EasyStand will be needed.
- Do not exert excessive force on the pump handle or use the pump handle to move your EasyStand around. This may cause damage to the pump handle and/or the pump mechanism and will void any warranty.
- User maintenance is not required or recommended on the hydraulic pump. Never apply lubricant, household oil, grease, or a similar product to any part of the unit. Some compounds may react with the seals used in the manufacture of this product. This may damage the unit and will void any warranty.
- Do not exceed the rated weight limit.
- If your EasyStand was shipped to you during or exposed to a temperature of less than 50 degrees Fahrenheit (10°C), you must allow the hydraulic unit to warm up to room temperature before any use. Failure to follow this step could damage the unit and render it inoperable.
- Once you reach the standing position your pump may settle back one stroke, this is normal for your pump to do this.
- It is sometimes not necessary to push the pump handle all the way to lower the strap. If you have difficulty getting the strap to lower, try pushing the handle into different positions.
- If the unit is in the standing position and unoccupied, it is necessary to apply pressure to the strap of the unit while pushing the pump handle forward.

## Purging The Hydraulic Actuator

The hydraulic pump on your EasyStand has a high probability of getting air trapped in the internal workings of the unit. This is usually caused by in-transit handling and is quite normal. Please follow the simple steps below, as manual hydraulic systems may never operate properly unless the entrapped air is correctly purged. The unit must be at room temperature for this procedure.

1. Pump the handle until the full extension is reached.
2. Now continue pumping the handle slowly for an additional 10 strokes. This will properly purge the system.

# Specifications

## Basic Unit

|                                                             |             |           |
|-------------------------------------------------------------|-------------|-----------|
| Height Range                                                | 5' - 6'5"   | 152-195cm |
| Weight Limit                                                | 350 lbs.    | 159kg     |
| Kneepad Height Range<br>(footplate to top of pad)           | 18"-21"     | 46-53cm   |
| Kneepad Width<br>(center to center)                         | 9"          | 23cm      |
| Kneepad Depth Range<br>(from back of heel)                  | 6"-9.5"     | 15-24cm   |
| Front Pad Depth Range<br>(from back of heel)                | 2"-12.5"    | 5-32cm    |
| Front Pad Height Range<br>(from footplate to center of pad) | 40"-56"     | 102-142cm |
| Inside Width / Wheelchair Access                            | 22.75"      | 58cm      |
| Locking Caster Diameter                                     | 3"          | 8cm       |
| Standard Footprint                                          | 31.5"x27.5" | 80x70cm   |
| Frame Color                                                 | Oxford Gray |           |
| Upholstery Color                                            | Black       |           |
| Weight of Basic Unit                                        | 125 lbs.    | 57kg      |

## Options

|                                                                  |                   |           |
|------------------------------------------------------------------|-------------------|-----------|
| Lifting Strap – Small                                            | 10"x26"           | 25x66cm   |
| Lifting Strap – Large                                            | 12"x29"           | 30x74cm   |
| Lifting Strap – XLarge                                           | 14"x32"           | 36x81cm   |
| Adjustable Lifting Strap – Small                                 | 10"x26"           | 25x66cm   |
| Adjustable Lifting Strap – Large                                 | 12"x29"           | 30x74cm   |
| Adjustable Lifting Strap – XLarge                                | 14"x32"           | 36x81cm   |
| Range of Adjustable Lifting Straps                               | 0"-8"             | 0-20cm    |
| Tray Height (from footplate)<br>subtract 1" or 2.5cm for Acrylic | 42"-58"           | 107-147cm |
| Tray Size (Molded or Acrylic)                                    | 21" x 24"         | 53 x 61cm |
| Swing-out Legs Footprint<br>(caster center to caster center)     | 26.5" W x 36.5" L | 67 x 93cm |
| Swing-out Legs Inside Access<br>(wheelchair front width up to)   | 38"               | 97cm      |
| Actuator Handle Extension                                        | Adds 6"           | Adds 15cm |

|                                                                |                        |          |
|----------------------------------------------------------------|------------------------|----------|
| Angle Adjustable Tray Range                                    | 0-35 degrees           |          |
| Upper Body Support Strap Pad Size                              | 5.5"x24"               | 14x61cm  |
| Upper Body Support Strap<br>(adjustment range)                 | 33"-70"                | 84-178cm |
| Foot Straps<br>(range over arch)                               | 7"-17"                 | 18-43cm  |
| Secure Foot Option<br>(range over arch)                        | 7"-17"                 | 18-43cm  |
| XL Footplate-Placement Area<br>(each foot)                     | 7"x14"                 | 18x36cm  |
| Independent Knee Pad Depth Range<br>(from back of heel)        | 3.5"-8"                | 9-20cm   |
| Independent Knee Pad Height Range<br>(from footplate)          | 17"-22.5"              | 43-57cm  |
| Multi-Adjustable Footplates<br>(height from floor)             | 1"-5"                  | 2.5-13cm |
| Multi-Adjustable Footplates<br>Plantar/Dorsiflexion Adjustment | -20/+20 degrees        |          |
| Multi-Adjustable Footplates<br>Toe-out Adjustment              | Neutral to +15 degrees |          |

# Limited Warranty

This warranty is extended only to the original purchaser/customer (or supplier non consumer who does not buy or resell). Altimate Medical, Inc. warrants the EasyStand StrapStand against defects in materials and workmanship as listed below.

- Steel Frames - 5 year warranty
- Hydraulic Actuator - 2 year warranty
- Upholstered components, plastic pads, rubber parts, painted surfaces, bearings and other parts not specifically identified above - 90 day warranty

The warranty period commences for the consumer on the purchase date from the seller/supplier. If the product is rented or otherwise not sold to a consumer, the warranty period commences from the date of invoice from Altimate Medical. Any product proven to Altimate Medical satisfaction to be defective and within warranty period, shall be repaired or replaced at Altimate Medical's option.

ALTIMATE MEDICAL SOLE OBLIGATION AND YOUR EXCLUSIVE REMEDY UNDER THIS WARRANTY SHALL BE LIMITED TO SUCH REPAIR AND/OR REPLACEMENT. This warranty does not include any labor charges incurred in replacement parts installation. Freight charges to factory are at the expense of consumer to seller. Return freight charges will be prepaid by Altimate Medical. For warranty service, please contact the authorized supplier from whom you purchased your Altimate Medical product. In the event you do not receive satisfactory warranty service, please write directly to Altimate Medical at the address below. Do not return products to our factory without prior authorization.

LIMITATIONS AND EXCLUSIONS: The foregoing warranty shall not apply to serial numbered products if the serial number has been removed or defaced. Products subject to negligence, abuse, misuse, improper operation, improper maintenance, improper storage, or damages beyond Altimate Medical's control are not covered by this warranty, and that evaluation will be solely determined by Altimate Medical. Products modified without Altimate Medical's express written consent (including, but not limited to, modification through the use of unauthorized parts or attachments) are not covered by this warranty. The warranty shall not apply to problems arising from normal wear or failure to follow instructions. The warranty will be void if parts not manufactured by Altimate Medical or parts not complying with original equipment specifications are added to an Altimate Medical product.

THE FOREGOING WARRANTY IS EXCLUSIVE AND IN LIEU OF ALL OTHER EXPRESS WARRANTIES. ALTIMATE MEDICAL SHALL NOT BE LIABLE FOR ANY CONSEQUENTIAL OR INCIDENTAL DAMAGES WHATSOEVER.

Altimate Medical maintains a policy of continual product improvement and reserves the right to change features, specifications, and prices without prior notification. Check with Altimate Medical for latest information.

Altimate Medical, Inc., P.O. Box 180, 262 W. 1st St., Morton, MN 56270 USA  
Phone: 507•697•6393 Fax: 507•697•6900 800•342•8968  
www.easystand.com info@easystand.com

## Environmental Issues

After life of the product:

- Recycle in accordance with the recycling codes of your country.
- Recycle all metal parts.
- Plastic parts should be disposed of or recycled according to the directive in your country.
- Please inquire at your local disposal management and recycling center for local codes.
- Return hydraulic actuator to Altimate Medical, Inc.

# AltimateMedical

P.O. Box 180  
262 West 1st St  
Morton, MN 56270  
Toll Free: 800.342.8968 or 507.697.6393  
Fax Free: 877.342.8968 or 507.697.6900  
email: [info@easystand.com](mailto:info@easystand.com)  
[www.easystand.com](http://www.easystand.com)



**EasyStand**    
standing made easy



Standing technology should only be used under the guidance of a physician with recommendations for standing program protocol and any medical precautions. Standing programs should be monitored by the attending therapist. Altimate Medical maintains a policy of continual product improvement and reserves the right to change features, specifications, and prices without prior notification. Check with Altimate Medical for latest info. FORM MANSTRAP 0211 Copyright © 2011 Altimate Medical, Inc. All rights reserved. Printed in the U.S.A.